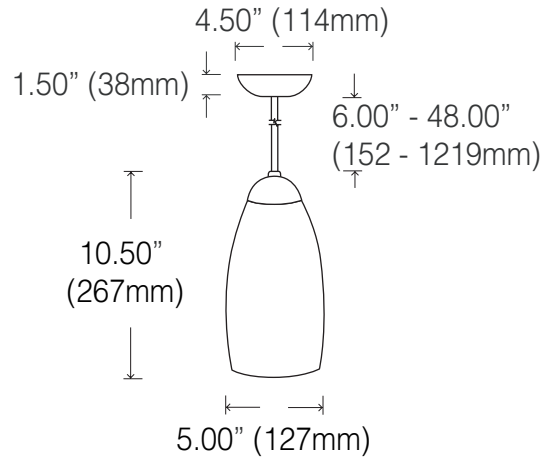


LCS-4015 (IN, HA, CF)



Coul. / Color SN, CHR, BK, WH, PEW
 Verre / Glass: WH
 Lampe / Lamp: IN: 50W PAR20 - 100W T10
 HA: MR16 50W CG, JC50LP
 CF: 13W DTT - 4P
 CF: 18W - 26W TTT - 4P
 Ballast EB 120V
 Tige / Stem 6" - 12" - 18" - 24" - 30" - 36" - 42" - 48"



OPTIONS



A
IN



B
HA (50W)
CF (13-18-26W)



TIGE / STEM
10 mm (3/8") $\leftarrow \rightarrow$
6" - 48" \updownarrow

EX: LCS-4015-SN-WH-HA-S18"

POUR PLUS D'INFORMATION, VOIR LA SECTION TECHNIQUE
FOR MORE INFORMATION, SEE THE TECHNICAL SECTION