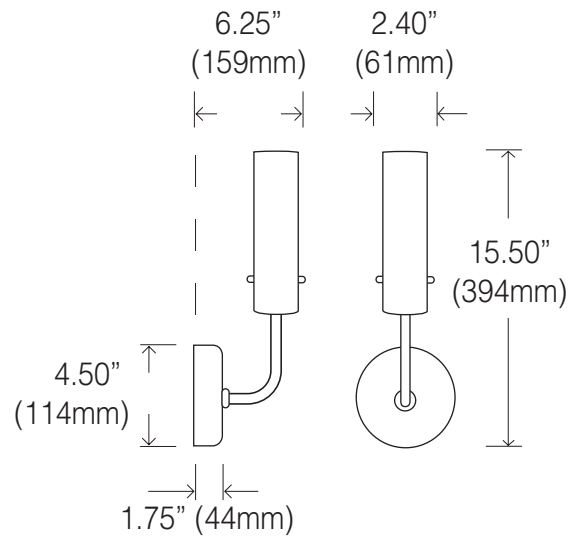


LCM-2003-CY1 (IN, HA, CF)



Coul. / Color	SN, CHR, BK, WH, PEW
Verre / Glass	WH
Lampe / Lamp	IN: 1 x 100W T10 HA: 1 x JC 50LP CF: 1x 13W DTT - 4P
Ballast	EB 120V



OPTIONS



A
IN



B
HA (50W)
CF (13W)

• POUR PLUS D'INFORMATION, VOIR LA SECTION TECHNIQUE
FOR MORE INFORMATION, SEE THE TECHNICAL SECTION

EX: LCM-2003-CY1-SN-WH-IN