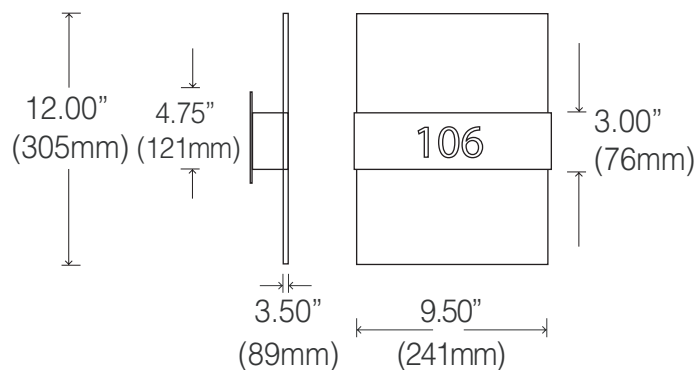


LCM-1051 (IN, CF)



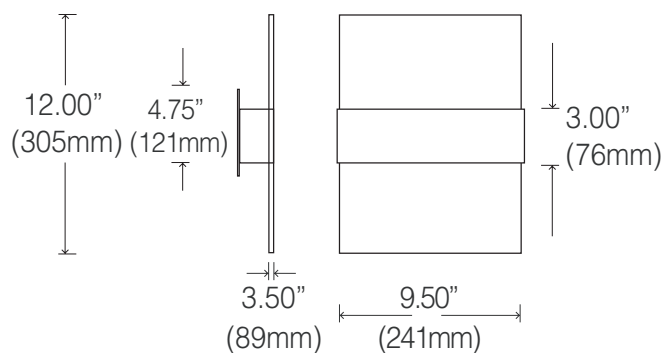
Coul. / Color	PEW
Verre / Glass	FRO
Lampe / Lamp	IN: 1 x 100W T10 CF: 1 x 13W DTT - 4P CF: 1 x 18W - 26W TTT - 4P
Ballast	EB 120V



LCM-1052 (IN, CF)



Coul. / Color	PEW
Verre / Glass	FRO
Lampe / Lamp	IN: 1 x 100W T10 CF: 1 x 13W DTT - 4P CF: 1 x 18W - 26W TTT - 4P
Ballast	EB 120V



EX: LCM-1052-PEW-FRO-IN

POUR PLUS D'INFORMATION, VOIR LA SECTION TECHNIQUE
FOR MORE INFORMATION, SEE THE TECHNICAL SECTION